

Signal tower / Pre-assembled Signal Tower  
**Fixing bracket BK**



<b>Part No.:</b>	<b>975.883.41</b>
<b>Series:</b>	<b>KombiSIGN 72</b>

<b>MECHANICAL DATA</b>	
Length	138 mm
Width	125 mm
Height	50 mm
Housing colour	Black
Weight with packaging	320 g
Product weight	320 g

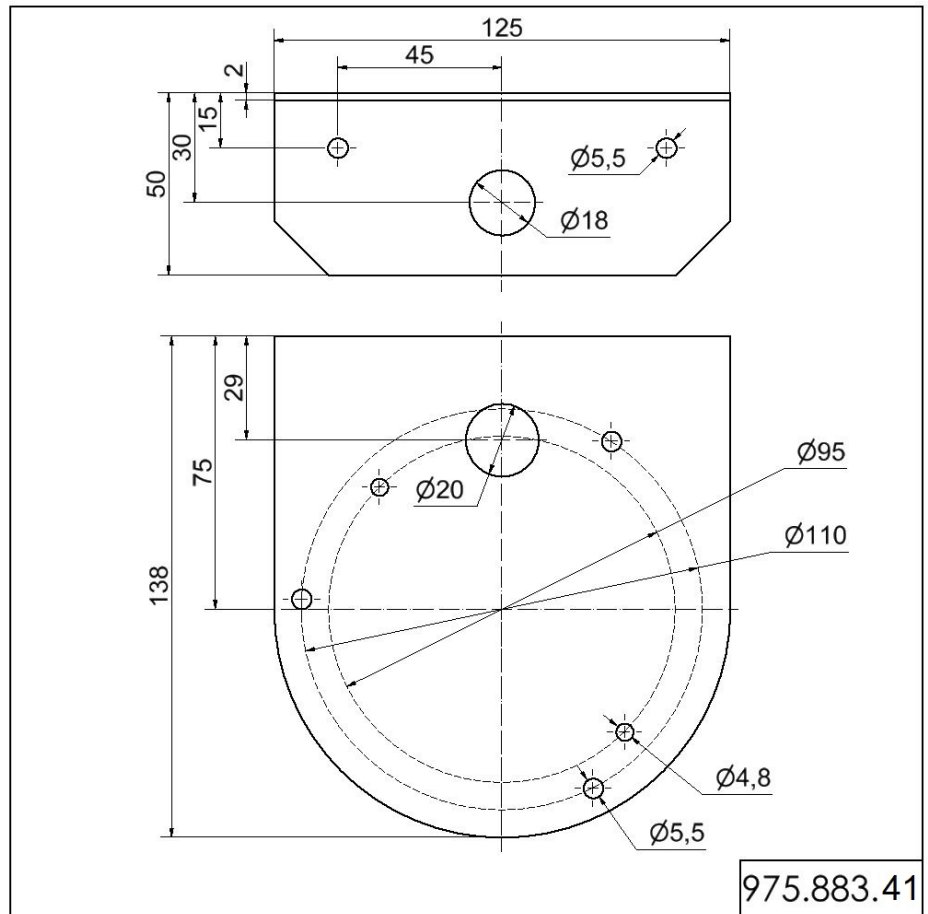
<b>APPROVAL DATA</b>	
Conforms with CE	No
WEEE	No
Conforms with RED directive	No
Conforms with CCC	No
Conforms with FCC	No
Conforms with IC	No
EAC certificate available	No
Conforms with UKCA (Importer)	No
Conforms with CMIM	No
Conforms with AS-I	No
Conforms with DNV	No
Conforms with RoHS CN	No
Conforms with VdS	No



For additional installation and mounting information, refer to the appropriate user guide at [www.werma.com](http://www.werma.com). This printed copy is for information only and is subject to alteration.

Signal tower / Pre-assembled Signal Tower  
**Fixing bracket BK**

**DRAWING**



! For additional installation and mounting information, refer to the appropriate user guide at [www.werma.com](http://www.werma.com). This printed copy is for information only and is subject to alteration.